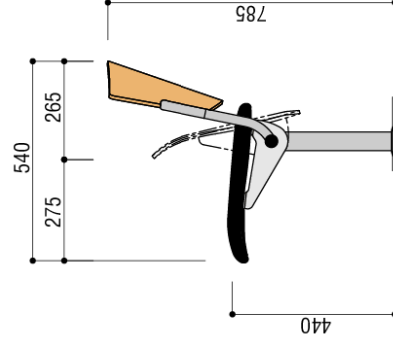
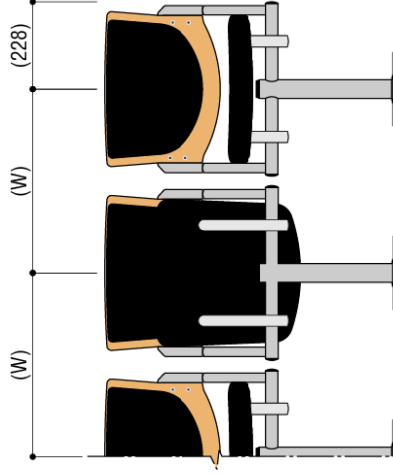
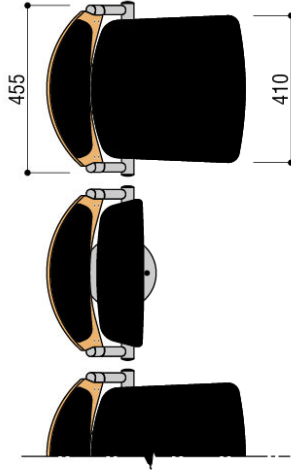
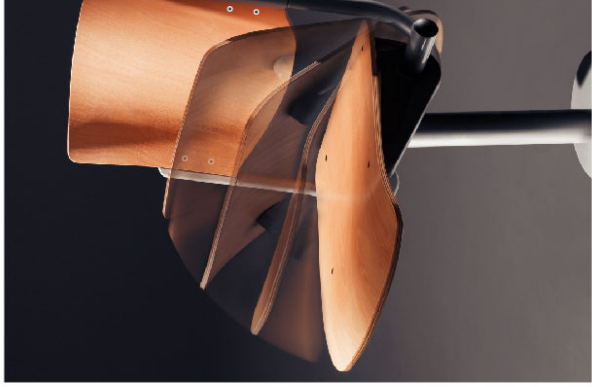




Seat/Back



Chair Leg



### Specification

#### Connecting Chair TSA-0936M

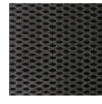
Upholstery	3D Mesh fabric
Backrest	Molded plywood with PU coating, with urethane foam pad
Seat	Molded synthetic resin with urethane foam pad
Chair Leg	Pressed steel plates, steel pipes with powder coating finish (Fixed to floor)
Seat width	W480mm~W550mm

#### Backrest (Molded Plywood)

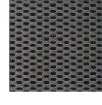


Grain woody

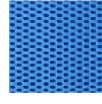
#### 3D Mesh fabric



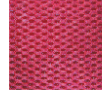
Black



Grey



Blue



Red

**TSA-0936M**

