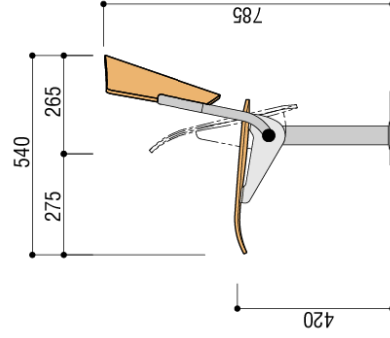
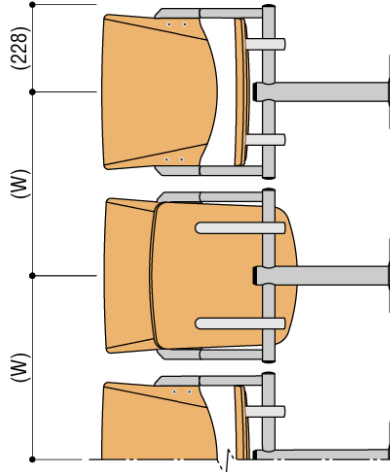
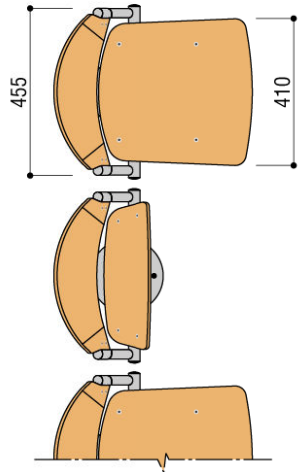
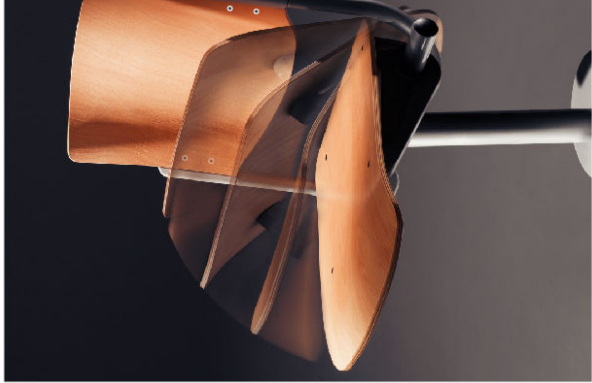




Seat/Back



Chair Leg



GL

Specification

Connecting Chair TSA-0936

Backrest/Seat Molded plywood with PU coating

Chair Leg Pressed steel plates, steel pipes with powder coating finish (Fixed to floor)

Seat width W480mm~W550mm

Backrest / Seat (Molded Plywood)



Grain woody



Kotobuki-Sea Standard Product

TSA-0936, S=1/20

※Please note that specifications may change without prior notice!

TSA-0936

