



Shell (Blow Molded)\_Front



Shell (Blow Molded)\_Back



### Specification

Sports Seating (1 Piece Type)	BLMA-2500 Series
Seat Shell	Blow-Molded high-density polyethylene Select color (KB)
Beam	Steel pipes with zinc plated finish
Leg (Please refer as below)	(Fixed to floor)
※Seat Width W420~W500	

### Shell Colors (KB)

	KB-6(Blue)		KB-7(Green)		KB-4(Orange)		KB-5(Dark Brown)		KB-11(Grey Beige)		KB-12(Grey Brown)
--	------------	--	-------------	--	--------------	--	------------------	--	-------------------	--	-------------------

### Leg Variations



Leg\_Type 0008  
Die-casted aluminum alloy  
with powder coating finish



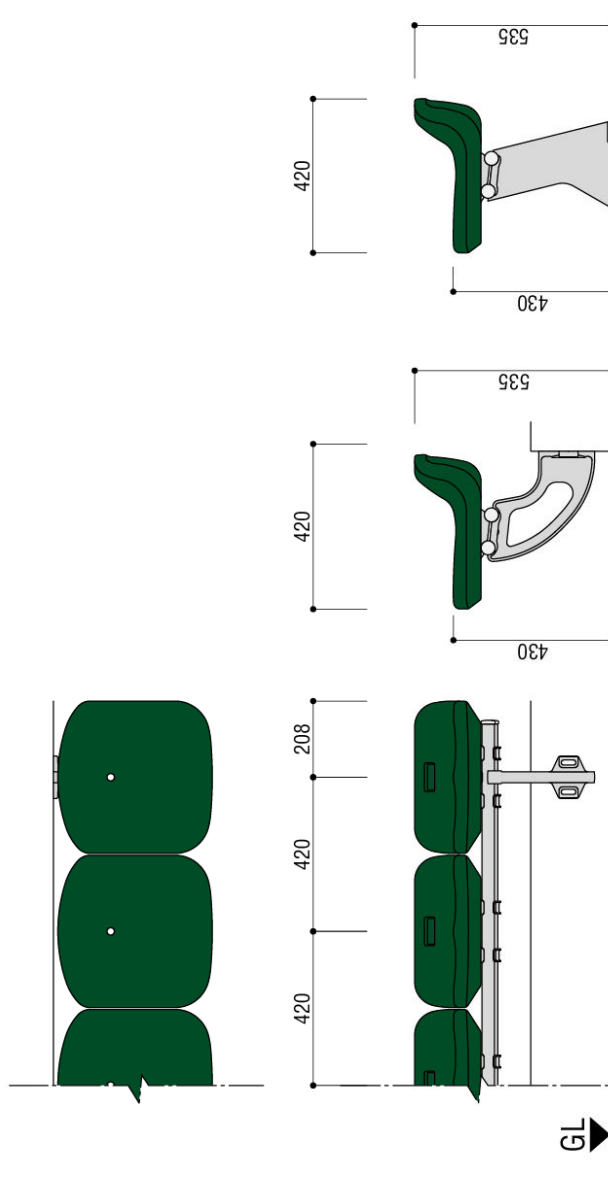
Leg\_Type 0010  
Die-casted aluminum alloy  
with powder coating finish



Leg\_Type 0012  
Steel frame  
with galvanized finish



Leg\_Type 0016  
Steel frame  
with galvanized finish



BLMA-2500 Series(1 Piece Type), S=1/20

※Please note that specifications may change without prior notice!



Kotobuki-Sea Standard Product

SPORTS SEATING (1 PIECE TYPE) <<BLMA-2500 Series>>

Ver.001

# BLMA-2500 Series

