



Shell (Blow Molded)



Specification

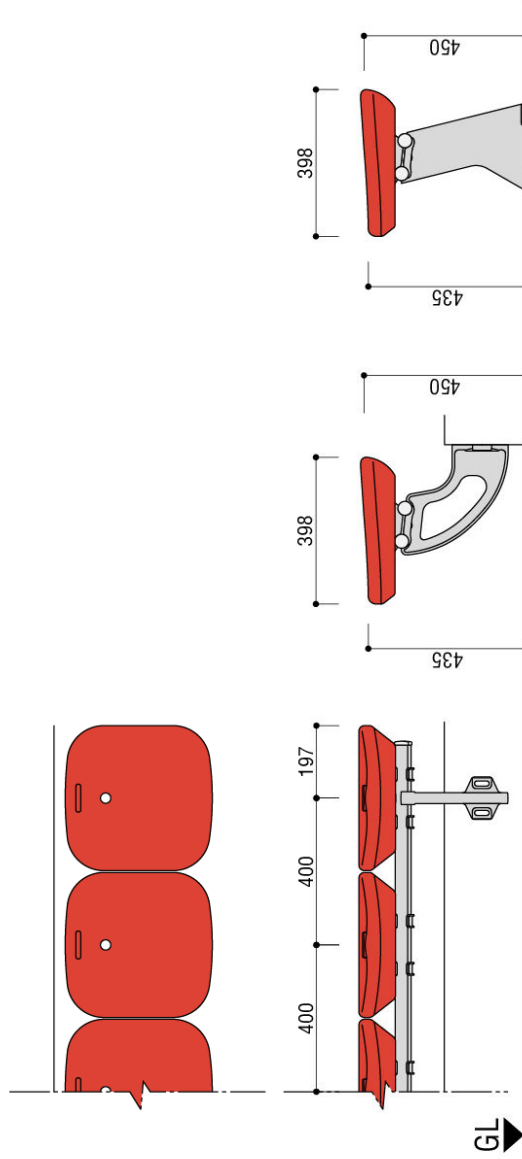
Sports Seating (1 Piece Type)	BLMA-0500 Series
Seat Shell	Blow-Molded high-density polyethylene Select color (KB)
Beam	Steel pipes with zinc plated finish
Leg (Please refer as below)	(Fixed to floor)
※Seat Width W400~W500	

Shell Colors (KB)

	KB-6(Blue)		KB-7(Green)		KB-4(Orange)		KB-5(Dark Brown)		KB-11(Grey Berge)		KB-12(Grey Brown)
--	------------	--	-------------	--	--------------	--	------------------	--	-------------------	--	-------------------

Leg Variations

	Leg_Type 0008 Die-casted aluminum alloy with powder coating finish
	Leg_Type 0010 Die-casted aluminum alloy with powder coating finish
	Leg_Type 0012 Steel frame with galvanized finish
	Leg_Type 0016 Steel frame with galvanized finish



BLMA-0500 Series(1 Piece Type), S=1/20

※Please note that specifications may change without prior notice!



Kotobuki-Sea Standard Product

SPORTS SEATING (1 PIECE TYPE) <<BLMA-0500 Series>>

Ver.001

BLMA-0500 Series

