



-38
Backrest / Seat :
Blow Molded Component



-38F
Backrest / Seat :
With Upholstered Pad



Table_Top Board



Table_Front Cover



Table_Leg



Chair_Leg



Specifications School Desk And Chair SDA-700-38,-38F

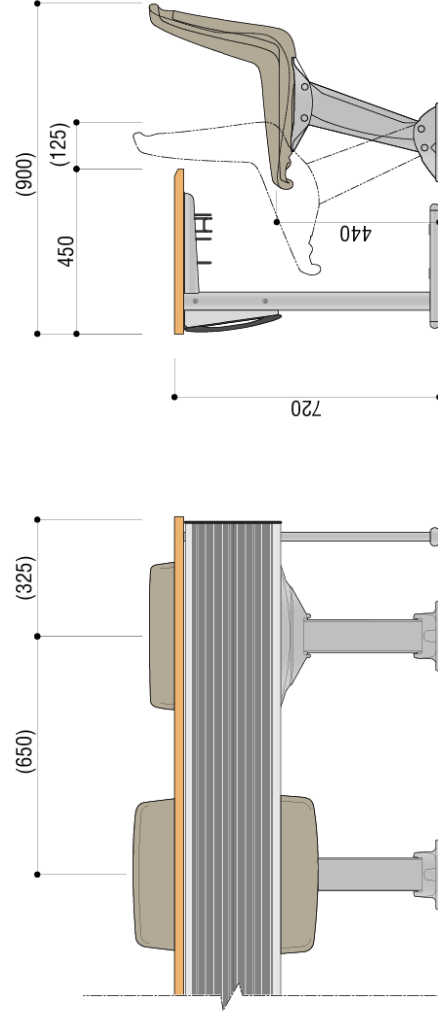
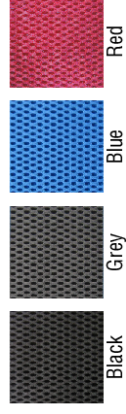
Desk

Top board	Wooden Board, Finish : Oak Grain Pattern
Front cover	Extrusion molding aluminum allow , Alumite finish
Table shelf	Round steel bar, pressed steel plate With powder coating finish (Black)
Table leg	Round steel pipes with powder coating finish End-leg part : Molded synthetic resin
Baggage hook	Round steel bar with powder coating finish

Chair

Seat / Backrest	Blow molded component (KB)
Chair Leg	Pressed steel plate , Steel pipe , AL base with powder coating finish (Fixed to floor)

3D Mesh fabric (for SDA-700-38F)



GL

SDA-700-38,-38F, S=1/20

※ Please note that specifications may change without prior notice!



Kotobuki-Sea Standard Product

SDA-700-38, -38F

Chair Type



-38

Backrest / Seat :
Blow Molded Component



-38F

Backrest / Seat :
With Uphostered Pad